

Danger!

Risk of fire or explosion. Flammable refrigerant used. To be repaired only by trained service personnel. Do not use mechanical devices to defrost refrigerator. Do not puncture refrigerant tubing.

Disposal



EU regulations require refrigeration product to be disposed of by specialist companies who remove or recycle all gasses, metal and plastic components.

Consult your local waste collection authority regarding disposal of your appliance.

Local authorities are not obliged to

dispose of commercial refrigeration equipment but may be able to offer advice on how to dispose of the equipment locally.

All packaging materials should be disposed of in an environmentally friendly way.

The cardboard may be used as scrap paper. The protective foil and the foam cushions are CFC-free.

Do not allow children to play with the packaging and destroy plastic bags safely.



Environmental protection

Discarded electric appliances are recyclable and should not be discarded in the domestic waste! Please actively support us in conserving resources and protecting the environment by returning this appliance to the collection centres (if available).

Compliance

Parts have undergone strict product testing in order to comply with regulatory standards and specification set by

international, independent, and federal authorities.

Products have been approved to carry the following symbol:



Commercial Bottle Cooler

User Manual



Welcome to your new chiller

Thank you for buying this commercial chiller. It has been designed and manufactured for many years of trouble-free service.

Operation is very simple, but please take a few minutes to read this booklet. It contains safely information, and tips to ensure you receive from your chiller.



WARNING: RISK OF ELECTRICAL SHOCK HAZARD

This unit must be earthed.

If the power cable is damaged, it must be replaced by the manufacturer, its service agent or similarly qualified persons in order to avoid hazard. Ensure that the appliance is properly earthed. Stop using the appliance immediately if electric shock is felt when touching the chiller.

DISPOSAL OF OLD APPLIANCES

BE SURE TO MAKE ANY LOCKS UNUSABLE, REMOVE ANY DOOR(S) AND DISCARD SEPARATELY.

WARNING-CHEMICAL HAZARD: DO NOT ALLOW CHILDREN TO PLAY WITH THE OLD APPLIANCE. CONTACT YOUR LOCAL AUTHORITY DISPOSAL PROCEDURES.

Before disposing of an old appliance, please make sure it is switched off and safe. Unplug the appliance and break any locks in order to avoid children becoming trapped.

Please note: the refrigeration system contains gases and refrigerants which require specialist waste disposal. The valuable materials in a refrigerator can be recycled. Contact your local waste disposal depot for proper disposal of an old appliance and contact your local authority or dealer if you have any questions.

Please ensure the pipe work of your refrigerator is not damaged prior to disposal. You can contribute to environmental awareness by insisting on an appropriate non-polluting method of disposal.

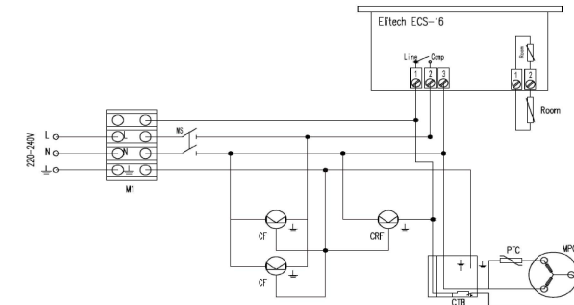
- **WARNING: Keep clear of obstruction all ventilation openings in the appliance enclosure or in the structure for building-in.**
- **WARNING: Do not use mechanical devices or other means to accelerate the defrosting process, other than those recommended by the manufacturer.**
- **WARNING: Do not damage the refrigerant circuit.**

NOTE 101 This warning is only applicable for appliances with refrigerating circuits which are accessible by the user.

- **WARNING: Do not use electrical appliances inside the food storage compartments of the appliance, unless they are of the type recommended by the manufacturer.**

Dimensions and space requirements						
	Cabinet dimensions			Aperture dimensions		
	Height (mm)	Width (mm)	Depth excl handle (mm)	Height (mm)	Width (mm)	Depth excl handle (mm)
KBC1	900	600	520	930	660	580
KBC2(SL)	900	900	520	930	960	580
KBC3(SL)	900	1350	520	930	1410	580

Circuit Diagram



R600A refrigerant is used for this equipment

Caution!

Consult repair manual/owner's guide before attempting to install or service this product. All safety precautions must be followed. Dispose of properly in accordance with federal or local regulations. Risk of fire or explosion due to puncture of refrigerant tubing. Follow handling instructions carefully.

CLEANING

1. UNPLUG your chiller and remove any stock to a suitable back-up chiller.
2. Wash the inner compartment with warm water and neutral detergent. DO NOT allow the control panel, cables or plug to get wet.

NEVER use corrosive detergents, wire brushes, or abrasive scourers to clean your chiller.

NEVER use metal or sharp implements to remove debris.

3. Dry all surface thoroughly.
4. To ensure trouble-free operation the condenser should be cleaned every three months where appropriate using a vacuum hose. The condenser is located behind lower grill at the rear of the cabinet. In exceptionally dusty locations the condenser should be cleaned more often.
5. Use mild soapy water to clean the gasket and seals.

REPLACING LAMPS

- 1 Unplug the power plug.
2. Remove the screws on both end of the light cover, take down the lamp cover, pull out the wires, then take away the lamp.
3. Install the new lamp, connect the wires, place the lamp cover and fasten it.
4. Caution: If the lamp is damaged, it must be replaced by the manufacturer , its service agent or similarly qualified persons in order to avoid hazard.

Fault	Probable Cause	Action
The appliance is not working	The unit is not switched on	Check the unit is plugged in correctly
	Plug and lead are damaged	Call your agent or qualified technician
	Fuse in the plug has blown	Replace the fuse (UK Plug)
	Power supply	Check power supply
	Internal wiring fault	Call your agent or qualified technician
The appliance turns on, but the temperature is too high/ low	Too much ice on the evaporator	Defrost the appliance
	Condenser blocked with dust	Call your agent or qualified technician
	Doors are not properly	Check doors are shut and seals are not damaged
	Appliance is located near a heat source or air flow to the condenser is being interrupted	Move the refrigerator to a more suitable location
	Ambient temperature is too high	Increase ventilation or move appliance to a cooler position
The appliance is unusually loud	Appliance is overloaded	Reduce the amount of containers in the appliance
	Loose nut/ screw	Check and tighten all nuts and screws
The appliance is leaking water	The appliance has not been installed in a level or stable position	Check installation position and change if necessary
	The appliance is not properly leveled	Adjust the screw feet to level the appliance
	The discharge outlet is blocked	Clear the discharge outlet
	The water container is damaged	Call your agent or qualified technician

Pentland Wholesale Ltd, Blizzard House, Unit17 Walker Industrial Estate, Walker Road, Blackburn, Lancashire, BB1 2QE. Tel: 01254 614444, www.pentlandwholesale.co.uk

DISPOSAL OF PACKAGING

Do not allow children to play the packaging, and destroy plastic bags safely.

The cardboard may be broken or cut into smaller pieces and given to a waste paper disposal service. The wrapping foil is made of polyethylene. The polyethylene pads and stuffing contain no fluorochloric hydrocarbons.

All these valuable materials may be taken to a waste collecting depot and used again after adequate recycling. Consult your local authority for the name and address of the waste paper disposal services nearest to you.

IMPORTANT SAFETY INSTRUCTIONS

Before switching on your chiller for the first time, read the information in this user manual carefully. The manual contains important observations relating to the assembly, operation and maintenance of the appliance.

Please keep this booklet in a safe place for future reference. If you ever sell your chiller, hand this user manual to the new owner.

The manufacture does not accept responsibility for any damages that may arise due to non-observation of these instructions. The user is liable for any material damage or bodily injury (product liability) cause by using the refrigerator carelessly or failing to follow instructions.

CAUTION:

- Do not move the unit by lifting either the door or door handles as this may cause damage to the cabinet.
- Do not use damaged appliances. If you are in any doubt, consult an engineer.
- Connection and installation of your chiller are to be carried out in strict compliance with the relative instructions in this manual.
- For safety, the appliance must be properly earthed in accordance with specifications
- Do not damage any parts of the appliance which carry refrigerant by piercing, perforating, crushing, twisting or scraping. If the refrigerant comes into contact with the eyes, it may cause serious eye injury.
- Always remember to unplug the appliance before cleaning. Never unplug your appliance by pulling on the power cable. Always grip plug firmly and pull straight out from the socket. Always check that the plug and cable are undamaged.
- All repairs must be carried out by qualified engineers. Inadequate repairs may be dangerous. Never try to repair the refrigerator yourself.
- Should the cover of the interior light or fan fall off or break, switch the refrigerator off immediately and replace the cover.
- Ensure your chosen location has a flat and stable surface. The unit may be leveled by turning either or both of the adjustable feet in the front corners. Check the unit is level using a spirit level.
- If the supply cord is damaged, it must be replaced by the manufacturer, its service agent or similarly qualified persons in order to avoid hazard.
- Be sure to leave at least 60mm of distance between the rear of the chiller and walls for ventilation, 30mm distance to be allowed above and to the sides for ventilation.
- Do not store explosive substances such as aerosol cans with a flammable propellant in this appliance.
- This appliance is intended for use indoor, such as shopping center, bar room, restaurant and so on, but not for household use.
- This appliance noise is less than 65dB.
- Do not obstruct or cover the ventilation aperture.
- Do not allow children to play with the appliance, or to sit on it or to hang onto the door.
- Make sure there is a suitable power Outlet (220-240V/50Hz, 13 amps outlet) with proper grounding to power the refrigerator.
- This appliance can be used by children aged from 8 years and above and persons with reduced physical, sensory or mental capabilities or lack of experience and knowledge if they have been given supervision or instruction concerning use of the appliance in a safe way and understand the hazards involved. Cleaning and user maintenance shall not be made by children without supervision.
- Do not position this appliance with its rear panel directly against a wall. For good circulation and operating efficiency, the ventilation grilles must never be blocked. Ventilation should be provided above and to each side of the unit and must never be built into a cupboard.

BEFORE USING FOR THE FIRST TIME

Remove all packaging and place the chiller on a stable, secure flat surface. Position the chiller away from heat sources, where the unit is well-ventilated and protected from moisture, or extremes of heat or cold. The refrigerator may not function properly if the temperature rises above +30 °C (standard models). The refrigerator is designed to operate in an ambient temperature of between 16 °C and 25°C however can operate for short periods (max 8 hours) at 32°C. Doors should be firmly closed during use and suitable for storing sealed containers, cans and bottles etc.

A 13A fuse is fitted. Never replace with a fuse rated higher than this.

NEVER USE AN EXTENSION LEAD. If the mains cable will not reach the nearest socket, either rearrange your store layout or ask a qualified electrician to fit a new socket.

If power is cut off, wait for at least 5 minutes before plugging the unit in again to avoid damaging the compressor.

Do not place combustible, explosive or volatile articles, corrosive acid or alkali, or liquid in glass containers into the chiller. Always exercise caution if adjusting the temperature.

The maximum load for a shelf is 30Kg.



PLUG IN

Before the unit is plugged in leave it to stand upright in its location for at least one hour after transportation. Once plugged in, the display will show the temperature inside the chiller and the compressor will run after an initial pause (the indicator light of cooling will on at the same time). This temperature is the actual temperature recorded by the probes inside the chiller and as the chiller cools to the set point so the number on the display will descend accordingly.

OPERATING FRONT PANEL DISPLAY





Adjust set point:

press **Set** for 3 seconds, set will appear on the display, press  to increase the set point, or press  to lower the set point.

Press Set for 3 seconds to save the new set point or auto sets after 15 seconds

Modifying parameters (technician only):

Press Set and  for 3 seconds to access parameters, scroll through parameters using arrows, select set to view and edit values using the arrow keys.

Hold  key for 3 seconds to initiate a defrost

Code	Function	Parameter range	Default	Unit
	Temperature setting value		0	
F0	Return difference	1-15	3	°C
F1	Compressor delay protection time	0-8	3	Min
F2	Limit of lower temperature setting value	-50-setting value	-20	°C
F3	Limit of higher temperature setting value	setting value-99	20	°C
F4	Defrost cycle	0-36	6	His
F5	Defrost time	0-99	30	Min
F6	Temperature calibration	-12-12	0	°C
F7	Exceeding Temp. lowest limits alarm	-50-highest limit	-50	°C
F8	Exceeding Temp. highest limits alarm	Lowest limit-99	99	°C